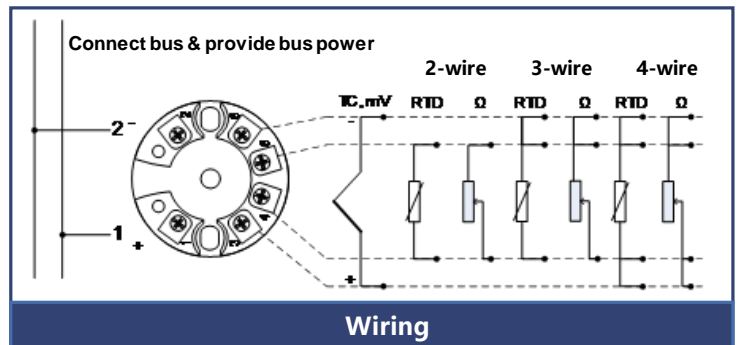
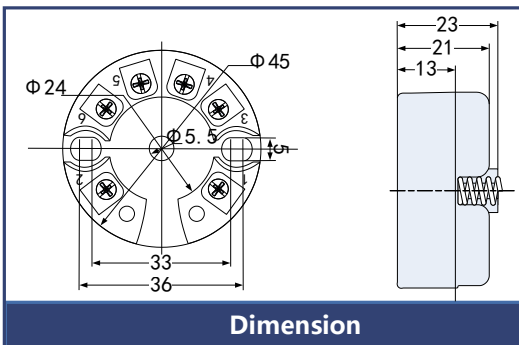




NCS-TT106H Temperature Transmitter

- HART, CE, Intrinsically Safe & Explosion Proof Certification
- Support 4 RTD, 8 TC
- Inputs for RTD in 2-wire, 3-wire and 4-wire
- TC Cold end compensation accuracy $\pm 0.15^{\circ}\text{C}$
- High accuracy (> 0.1 level), low temperature drift



RTD Normal Temperature Accuracy Index (Digital Accuracy)

Signal Type	Recommended Range	Accuracy (25°C)	Temperature Drift (per °C)
Resistance	0~500Ω	$\pm 0.04\Omega$	$\pm 0.001\Omega$
	0~4000Ω	$\pm 0.35\Omega$	$\pm 0.015\Omega$
PT100	-200 ~ 850°C	$\pm 0.15^{\circ}\text{C}$	$\pm 0.003^{\circ}\text{C}$
PT1000	-200 ~ 850°C	$\pm 0.15^{\circ}\text{C}$	$\pm 0.005^{\circ}\text{C}$
CU50	-50 ~ 150°C	$\pm 0.15^{\circ}\text{C}$	$\pm 0.005^{\circ}\text{C}$
CU100	-50 ~ 150°C	$\pm 0.10^{\circ}\text{C}$	$\pm 0.003^{\circ}\text{C}$



TC Normal Temperature Accuracy Index (Digital Accuracy)

Signal Type	Recommended Range	Accuracy (25°C)	Temperature Drift (per °C)
mV	-100mV ~ +100mV	$\pm 0.025\text{mV}$	$\pm 0.001 \text{mV}$
B	500 °C ~ 1810°C	$\pm 0.77^{\circ}\text{C}$	$\pm 0.050^{\circ}\text{C}$
E	-200 °C ~ 1000°C	$\pm 0.20^{\circ}\text{C}$	$\pm 0.025^{\circ}\text{C}$
J	-190 °C ~ 1200°C	$\pm 0.35^{\circ}\text{C}$	$\pm 0.01^{\circ}\text{C}$
K	-200°C ~ 1372°C	$\pm 0.40^{\circ}\text{C}$	$\pm 0.025^{\circ}\text{C}$
N	-190°C ~ 1300°C	$\pm 0.50^{\circ}\text{C}$	$\pm 0.015^{\circ}\text{C}$
R	0°C ~ 1768°C	$\pm 0.75^{\circ}\text{C}$	$\pm 0.023^{\circ}\text{C}$
S	0 °C ~ 1768°C	$\pm 0.70^{\circ}\text{C}$	$\pm 0.023^{\circ}\text{C}$
T	-200°C ~ 400°C	$\pm 0.35^{\circ}\text{C}$	$\pm 0.015^{\circ}\text{C}$

