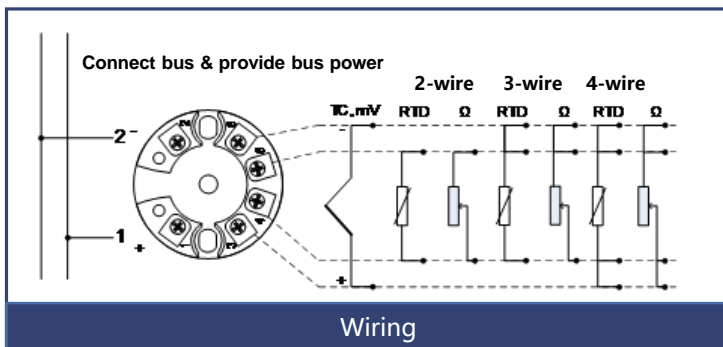
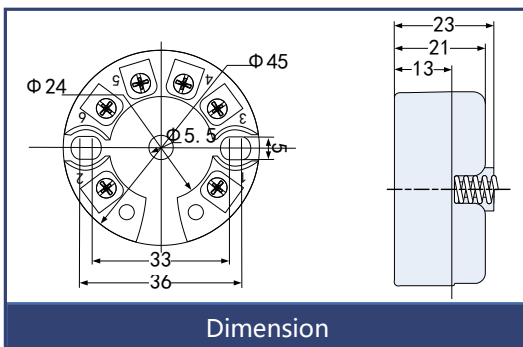
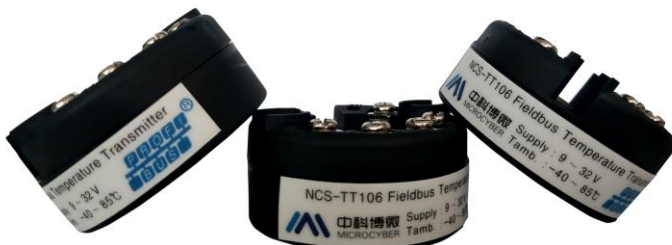


## NCS-TT106P Temperature Transmitter

- CE Certification
- PNO interoperable certification (PA3.02)
- Support 4 RTD, 8 TC
- Inputs for RTD in 2-wire, 3-wire and 4-wire
- TC Cold end compensation accuracy  $\pm 0.15^{\circ}\text{C}$
- High accuracy ( $> 0.1$  level), low temperature drift



## RTD Normal Temperature Accuracy Index (Digital Accuracy)

Signal Type	Recommended Range	Accuracy (25°C)	Temperature Drift (per °C)
Resistance	0~500Ω	$\pm 0.04\Omega$	$\pm 0.001\Omega$
	0~4000Ω	$\pm 0.35\Omega$	$\pm 0.015\Omega$
PT100	-200 ~ 850°C	$\pm 0.15^{\circ}\text{C}$	$\pm 0.003^{\circ}\text{C}$
PT1000	-200 ~ 850°C	$\pm 0.15^{\circ}\text{C}$	$\pm 0.005^{\circ}\text{C}$
CU50	-50 ~ 150°C	$\pm 0.15^{\circ}\text{C}$	$\pm 0.005^{\circ}\text{C}$
CU100	-50 ~ 150°C	$\pm 0.10^{\circ}\text{C}$	$\pm 0.003^{\circ}\text{C}$



**Certificate**

PROFIBUS Nutzerorganisation e.V. grants to  
**Microcyber Corporation**  
 17-8 Wensu Street, Hunnan New District, 110179 Shenyang, China

the Certificate No. **202269** for the PROFIBUS Device:

Model Name: NCS-TT106  
 Revision: 1.1; SW/FW: 03.02; HW: 2.1  
 GSD: MCB0707.GSD, File Version: 5.0  
 pa139701.GSD

This certificate confirms that the product has successfully passed the certification tests with the following scope:

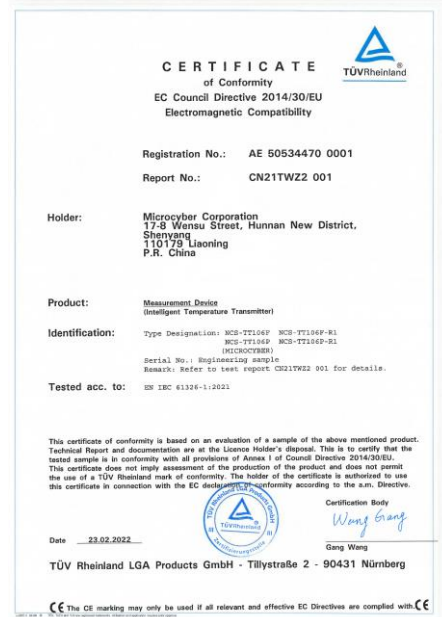
<input checked="" type="checkbox"/>	DP-V0	MS0, Set, Slave, Add, Freeze
<input checked="" type="checkbox"/>	DP-V1	MS1, MS2, Pm, Block, Structure, IAM
<input checked="" type="checkbox"/>	Profile	PROFIBUS PA 3.02
<input checked="" type="checkbox"/>	Physical Layer	MBP

Test Report Number: MCDL-2021-552-D  
 Authorized Test Laboratory: ITEI, Beijing, China

The tests were executed in accordance with the following documents:  
 "Test Specifications for PROFIBUS DP Slaves, Version 3.0.5, September 2008" and  
 "Test Specifications for PROFIBUS PA Profile 3.0.2, Version 5.0.A, February 2010".  
 This certificate is granted according to the document:  
 "Framework for testing and certification of PROFIBUS and PROFINET products".  
 For all products that are placed in circulation by **April 28, 2024** the certificate is valid for life.

## TC Normal Temperature Accuracy Index (Digital Accuracy)

Signal Type	Recommended Range	Accuracy (25°C)	Temperature Drift (per °C)
mV	-100mV ~ +100mV	$\pm 0.025\text{mV}$	$\pm 0.001 \text{ mV}$
B	500 °C~ 1810°C	$\pm 0.77^{\circ}\text{C}$	$\pm 0.050^{\circ}\text{C}$
E	-200 °C~ 1000°C	$\pm 0.20^{\circ}\text{C}$	$\pm 0.025^{\circ}\text{C}$
J	-190 °C~ 1200°C	$\pm 0.35^{\circ}\text{C}$	$\pm 0.01^{\circ}\text{C}$
K	-200°C ~ 1372°C	$\pm 0.40^{\circ}\text{C}$	$\pm 0.025^{\circ}\text{C}$
N	-190°C ~ 1300°C	$\pm 0.50^{\circ}\text{C}$	$\pm 0.015^{\circ}\text{C}$
R	0°C ~ 1768°C	$\pm 0.75^{\circ}\text{C}$	$\pm 0.023^{\circ}\text{C}$
S	0 °C~ 1768°C	$\pm 0.70^{\circ}\text{C}$	$\pm 0.023^{\circ}\text{C}$
T	-200°C ~ 400°C	$\pm 0.35^{\circ}\text{C}$	$\pm 0.015^{\circ}\text{C}$



**CERTIFICATE** TÜV Rheinland  
 of Conformity  
 EC Council Directive 2014/30/EU  
 Electromagnetic Compatibility

Registration No.: AE 50534470 0001  
 Report No.: CN21TW22 001

Holder: **Microcyber Corporation**  
 17-8 Wensu Street, Hunnan New District,  
 Shenyang  
 110179 Liaoning  
 P.R. China

Product: Measurement Device  
 (Intelligent Temperature Transmitter)

Identification: Type Designation: NCS-TT106P NCS-TT106P-01  
 NCS-TT106P NCS-TT106P-01  
 (MCDL2021050)

Serial No.: Engineering sample  
 Remark: Refer to test report CN21TW22 001 for details.

Tested acc. to: EN IEC 61326-1:2021

This certificate of conformity is based on an evaluation of a sample of the above mentioned product. Technical Report and documentation are at the License Holder's disposal. This is to certify that the tested sample is in conformity with all provisions of Annex I of Council Directive 2014/30/EU. This certificate does not imply assessment of the production of the product and does not permit the use of a TÜV Rheinland mark of conformity. The holder of the certificate is authorized to use this certificate in connection with the EC declaration of conformity according to the a.m. Directive.

Date: 23.02.2022

Certification Body: **Wang Gang**  
 Gang Wang

TÜV Rheinland LGA Products GmbH · Tillystraße 2 · 90431 Nürnberg

CE The CE marking may only be used if all relevant and effective EC Directives are complied with. CE