

Pneumatic pressure comparison test pump Model LR-Cal LSP 100-P

- Pneumatic pressure and vacuum source for calibration and testing purposes
- Manual pneumatic pump using ambient air
- Generating pressure up to 100 bar, switchable to vacuum up to -0.95 bar

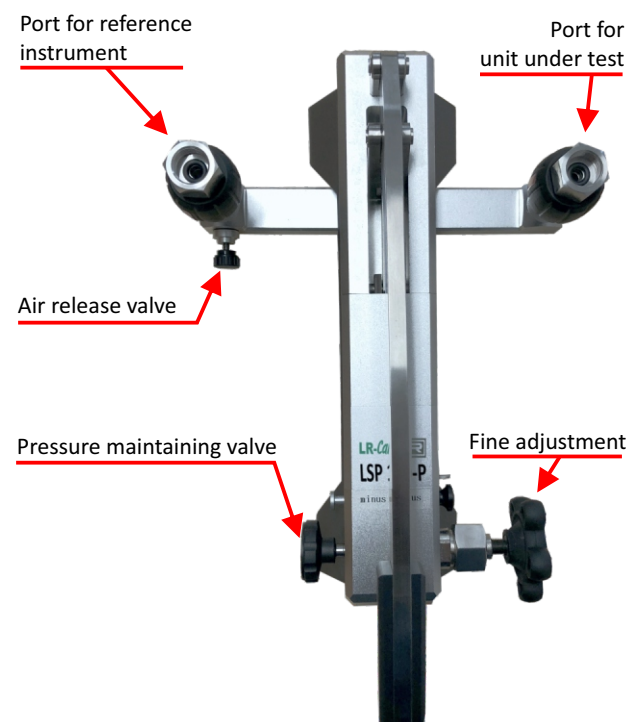
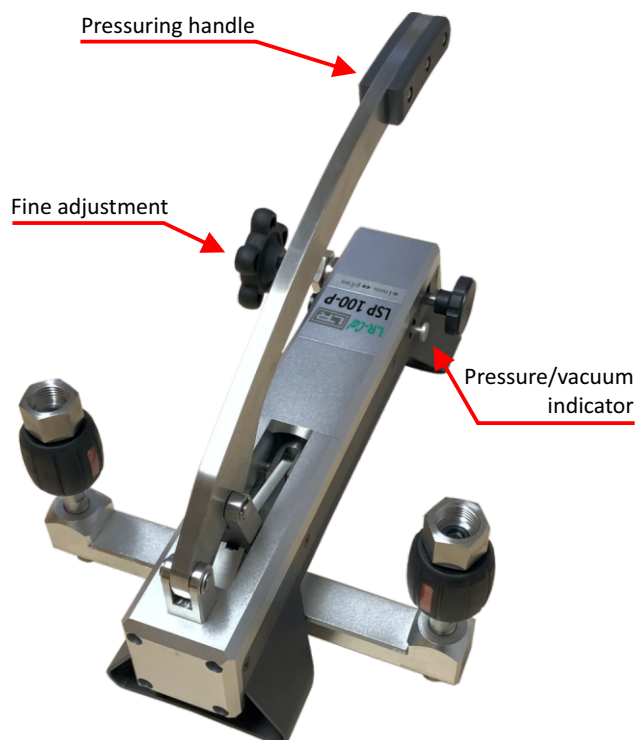
Pressure comparison test pumps are used for generating pressure and vacuum for the testing, adjusting and calibrating of mechanical and electronic pressure measuring instruments by means of comparison measurements. These pressure and vacuum testes can be carried out in laboratories, workshops or on site at the set measuring point.

When the device under test and a reference measuring instrument with an adequate accuracy are connected to the same pressure comparator, the same pressure will act on both measuring instruments after actuating the pump. A calibration or an adjustment can be carried out by comparing the two measure values at any pressure or vacuum value.



In order to enable an accurate generation of the measuring points, the pressure comparison pump LR-Cal LSP 100-P is provided with a fine adjustment valve.

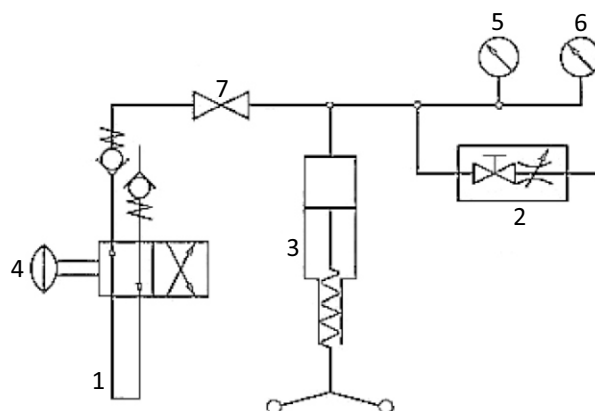
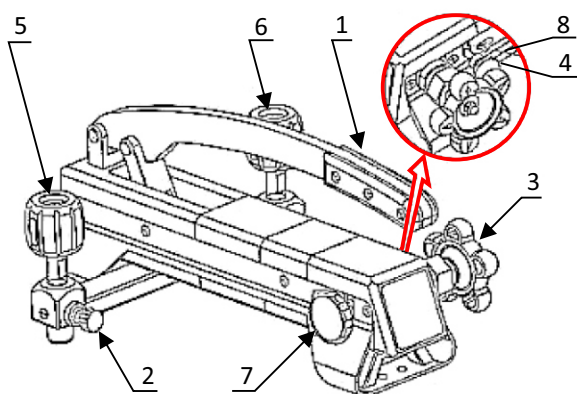
This manual pressure pump uses ambient air as medium. Easy to use, no external pressure or vacuum source needed.



Technical data:

Making pressure: up to +100 bar, switchable to
 Making vacuum: down to -0.95 bar
 Medium: Ambient air
 Pressure ports: 2 ports with 1/2" BSP female rotating swivel nut, incl. o-rings
 (no tools required for mounting reference instrument and unit under test)
 Distance of both pressure ports: 220 mm
 Fine adjustment: Fine adjustment valve, sensitivity ± 0.1 mbar
 Dimensions: 450 x 262 x 170 mm
 Net weight: approx. 5.6 kg

Scope of standard delivery: 1 **LR-Cal LSP 100-P** pressure comparison pump
 2 threaded adapter M20x1.5 female x 1/2" BSP male with O-rings
 Set with spare O-rings, 2 blind plugs M20x1.5 for closing the pressure ports, operating manual.



- | | |
|--|---|
| (1) Pressuring handle | (2) Pressure release valve |
| (3) Fine adjustment valve | (4) Switch pressure/vacuum |
| (5) Pressure port for reference instrument | (6) Pressure port for device under test |
| (7) Pressure maintaining valve | (8) Switcher safety pin |

Optional accessories:

Order-Code BLINDSTOPFEN-G12-VA	Blind plug 1/2" BSP in stainless steel, PN 3600 bar
Order-Code LSP-100-P-WARTUNG	Maintenance Kit for LR-Cal LSP 100-P (gaskets etc.)
Order-Code LSP-ADAPTER-SET	Set of threaded adapters for pressure port 1/4" NPT, 1/2" NPT, 1/4" BSP and M20x1.5 female

Spare part:

Order-Code **LSP-100-P-UMSCHALTER** pressure/vacuum switch as a spare part

Reference pressure instruments:

LR-Cal LDM 80, LR-Cal LPC 200, LR-Cal LPC 300, LR-Cal TLDMM 2.0, LR-Cal LDM 70, LR-Cal LHM