

DATA SHEET

Si-PM3

Digital Differential Pressure Manometer



Measuring range: -150 to +150 hPa (-60 to 60 inH₂O)



Backlit LCD screen



Air velocity and airflow with Pitot tube (optional)



Magnetic backing for easy fixing + Carrying bag



FREE APP Si-HVACR Measurement MobileApp



Technical specifications

Parameters	Measuring units	Accuracy*	Measuring range	Resolution
Pressure	hPa, mbar, Pa, mmH ₂ O, inH ₂ O, inHg, psi	±(1.5% of value +0.2 hPa) ±(1.5% of value +0.09 inH ₂ O)	from -150 to +150 hPa from -60 to 60 inH ₂ O	0.01 hPa / 0.001 psi / 0.01 inH ₂ O / 1 Pa / 0.01 mbar / 0.1 mmH ₂ O / 0.001 inHg
Airflow**	m ³ /h, m ³ /min, m ³ /s, cfm	-	from 0 to 9999 m ³ /h	1 m ³ /h / 0,001 m ³ /s / 0.01 m ³ /min / 0.1 ft ³ /min
Air velocity***	m/s, fpm	-	from 2 to 80 m/s from 394 to 15748 fpm	0.1 m/s 1 fpm

Air velocity displayed on the instrument is calculated at fixed conditions: L Pitot tube with a deprimogen coefficient of 1.0015, at 20°C (68°F) and 1013.25 hPa (29.92 inHg). When the app is used to display air velocity, these parameters can be modified.

*All the accuracies indicated in this technical datasheet were stated in laboratory conditions, and can be guaranteed for measurements carried out in the same conditions.

** Calculated values, only available on the app

*** Calculated values

Google Play and the Google Play logo are trademarks of Google LLC.

App Store is a service mark of Apple Inc.

General features

Measuring element	Piezoresistive sensor
Admissible overpressure	750 mbar (301 inH ₂ O)
Connector	Stepped connectors from Ø 5.1 to 6.2 mm
Display	Integrated 2-line LCD 7 segment monochrome display with backlight
Housing	ABS-PC and TPE, IP40
Keypad	1 ON/OFF & Backlight key 1 Hold/Min/Max/Live & Autozero key
Standards & Directives	2011/65/EU RoHS II (EU)2015/863; 2012/19/EU WEEE; 2014/53/EU RED
Power supply	3 alkaline batteries LR03 AAA 1.5 V
Battery life	170 hours* (without backlight and without wireless communication)
Wireless communication	Range frequency from 2402 MHz to 2480 MHz with a transmit power of 0 dBm. Range up to 15 m (98 ft), depending on smartphone radio strength. Minimum required versions: Android 5.0, iOS 12.4, BLE 4.0
Ambiance	Air and neutral gases
Operating conditions	From 0 to 50°C (32 to 122°F). In non condensing conditions. Altitude: from 0 to 2000 m (6561').
Storage temperature	From -20 to +70°C (-4 to 158°F)
Auto shut-off	10 minutes (can be deactivated)
Weight (with batteries)	200 g (7 oz)

*Battery life given at 20°C (68°F) with alkaline batteries

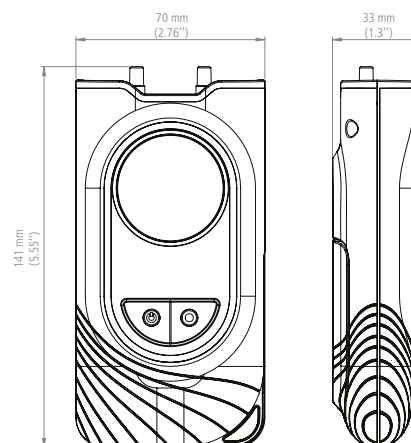
Si-HVACR Measurement MobileApp

The Si-HVACR Measurement MobileApp allows to view and record measurements in real-time.

Main features:

- Easily view different parameters
- Browse saved measurements history and data graphs (average, min & max values, etc.)
- Create reports (PDF, CSV, or XML) and add up to four (4) photos

Dimensions



Kit content

- 2x clear tubes Ø4x6 mm, 1 m (39.37") length
- Certificate of conformity
- Quick Start Guide
- 3 alkaline batteries LR03 AAA 1.5 V
- Carrying bag

Warranty

Instruments have 2-year guarantee for any manufacturing defect.