



SERIES DM | DIGIMAG® DIFFERENTIAL PRESSURE TRANSMITTER



BENEFITS/FEATURES

- Reduced installation time through zero and span controls that provides quick and easy calibration
- Fast and easy setup and calibration with push-button zero and span controls
- Immediate corrective action can be taken by local alerts via the easy-to-read LCD display
- Reduces upgrade installation costs and simplifies field upgrade from a Magnehelic® gage, as both use the same diameter cutout

APPLICATIONS

- Differential pressure across filters
- Fan control
- Static pressures in ducts or buildings
- Room pressurization monitoring

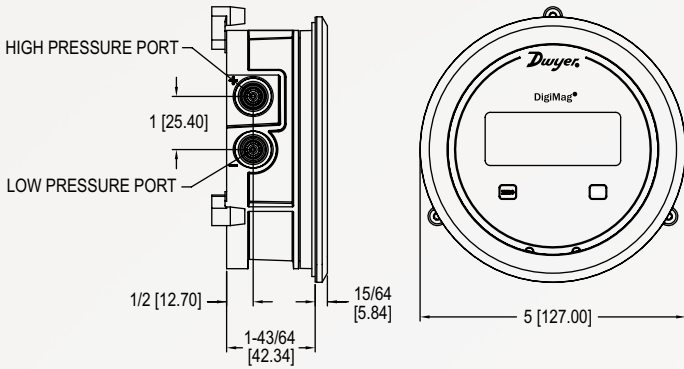
DESCRIPTION

The **Series DM DigiMag® Differential Pressure Transmitter** senses the pressure of air and compatible gases and sends a standard 4-20 mA output signal. The DM housing is specifically designed to mount in the same diameter cutout as a standard Magnehelic® gage. A wide range of models are available factory calibrated to specific ranges. The polycarbonate molded housing features integral pressure connections, which reduces installation time. Digital push-button zero and span simplify calibration over typical turn-potentiometers. A single push-button allows field selection of 4 to 6 engineering units, depending on the range.

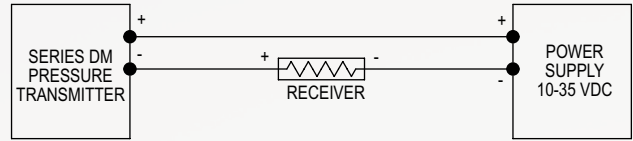
SPECIFICATIONS

Service	Air and non-combustible, compatible gases.
Wetted Materials	Consult factory.
Housing Material	Polycarbonate.
Accuracy	±1% FSO for all ranges except 0.25 in w.c. @ ±2% FSO, and ranges at or below ±0.1 in w.c. @ ±4% FSO.
Stability	< ±1%/year FSO.
Pressure Limits	Ranges > 1 in w.c.: 6 psi max operation, 6 psi burst; Ranges ≤ 1 in w.c.: 3.6 psi max operation, 6 psi burst.
Temperature Limits	-4 to 158°F (-20 to 70°C).
Thermal Effect	0.036% FS/°C (0.02% FS/°F).
Power Requirements	10-35 VDC (2-wire).
Output Signal	4-20 mA (2-wire).
Zero and Span Adjustments	Push-button.
Loop Resistance	0 to 1250 Ω max.
Current Consumption	21 mA max.
Electrical Connections	Screw-type terminals.
Process Connections	Male ports on side for 1/8", 3/16", 1/4", 5 mm, 6 mm ID flexible tubing.
Enclosure Rating	NEMA 4X (IP66).
Mounting Orientation	Not sensitive to position.
Size	5" OD (127 mm) x 1.9" (48 mm) deep.
Weight	7.04 oz (200 g).
Agency Approvals	CE.

DIMENSIONS



WIRING DIAGRAM



HOW TO ORDER

Use the **bold** characters from the chart below to construct a product code.

<p>SERIES</p> <p>DM: DigiMag® differential pressure transmitter</p> <p>ACCURACY</p> <p>001: 0.1 in w.c. 002: 0.25 in w.c. 003: 0.5 in w.c. 004: 1 in w.c. 005: 2 in w.c. 007: 3 in w.c. 008: 5 in w.c. 019: -0.05-0-0.20 in w.c. 201: ±0.1 in w.c. 202: ±0.25 in w.c. 203: ±0.5 in w.c. 052: 30 Pa 053: 60 Pa 056: 250 Pa 059: 1250 Pa 252: ±30 Pa 253: ±60 Pa 256: ±250 Pa 259: ±1250 Pa 082: 6 mm w.c. 282: ±6 mm w.c.</p>	<p>DM -202 -NIST</p>	<p>OPTIONS</p> <p>-FC: Factory calibration certificate -NIST: NIST traceable calibration certificate -SS: 304 brushed SS bezel</p>
--	---	--

ORDER ONLINE TODAY!
dwyer-inst.com/Product/SeriesDM



DWYER INSTRUMENTS, INC.

©Copyright 2021 Dwyer Instruments, Inc.
 Printed in U.S.A. 9/21

DS-DM

SALCAS Entrega/Retirada: Rua Marilândia, 265 02802-070 | São Paulo - SP contato@salcas.com.br www.salcas.com.br (11) 3977-7838 (11) 3028-6950